

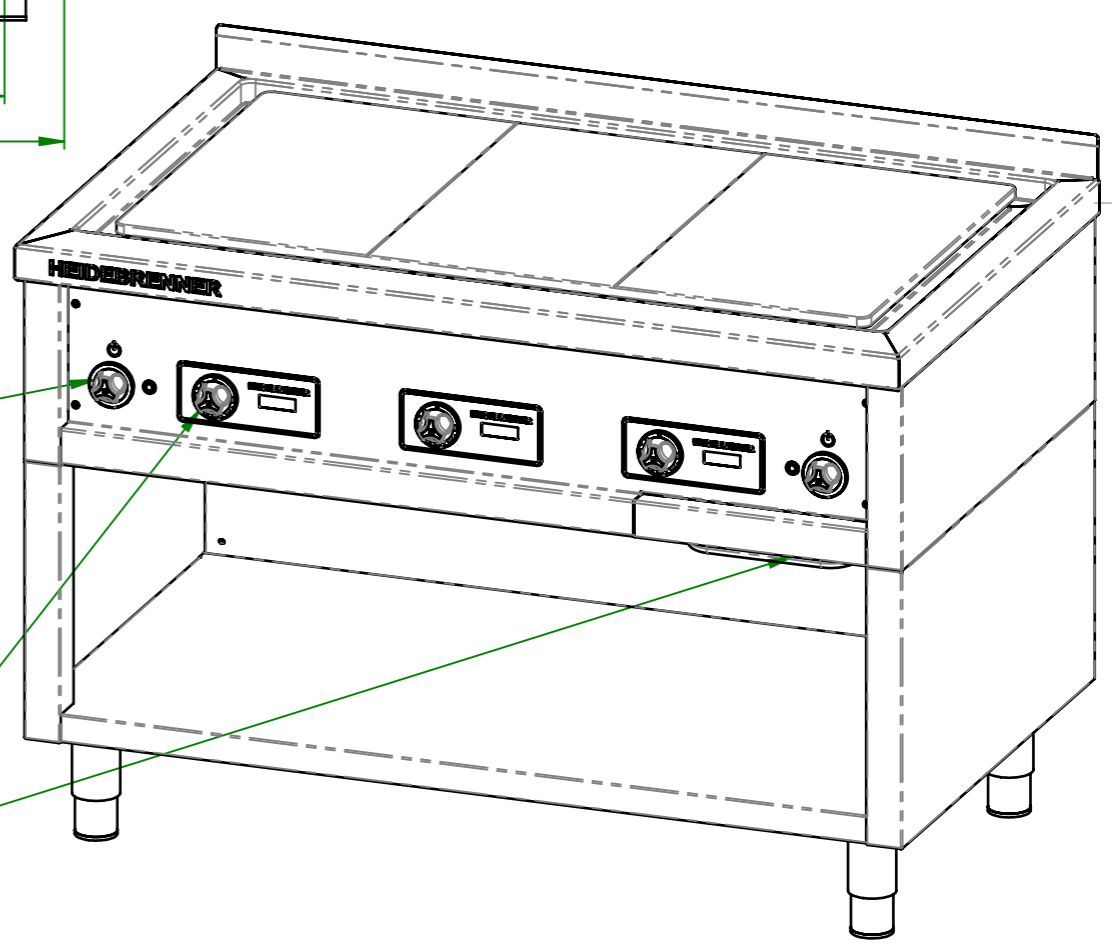
Steel plate,
Chrome plated (Optional)
smooth

ON/OFF

Electronic Microstat T=50...400°C
with setpoint/
actual temperature display

extendable GN
Grease collection drawer

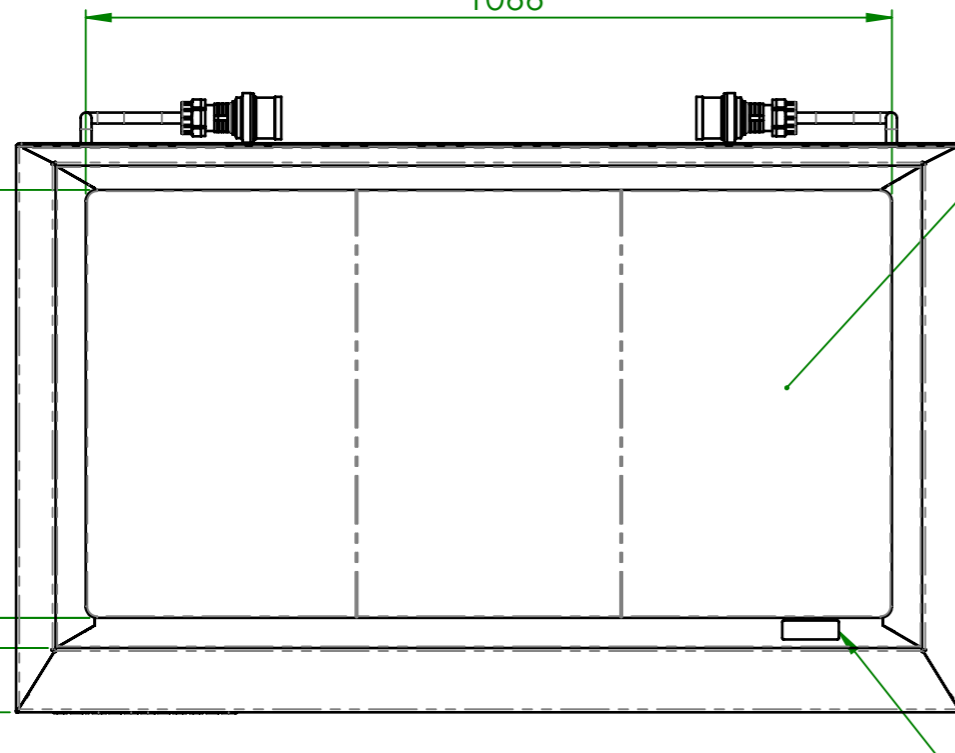
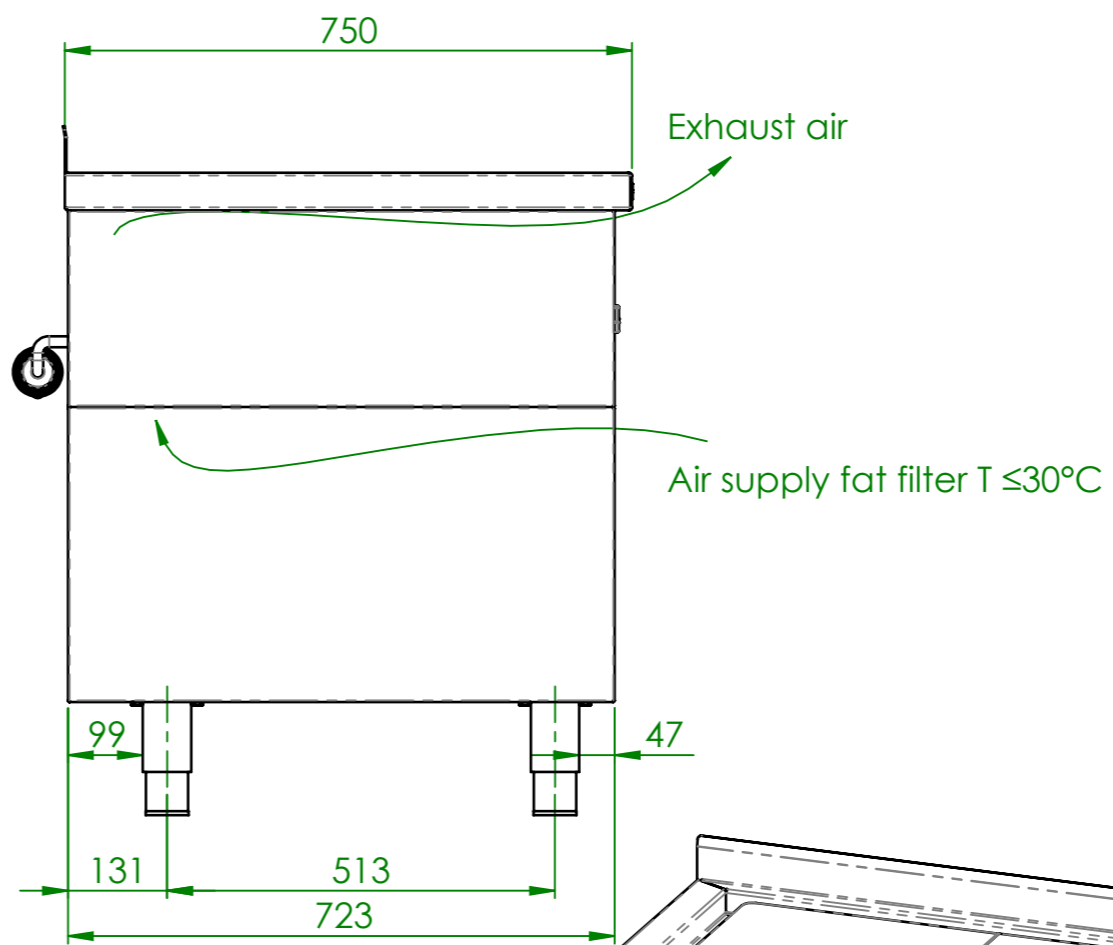
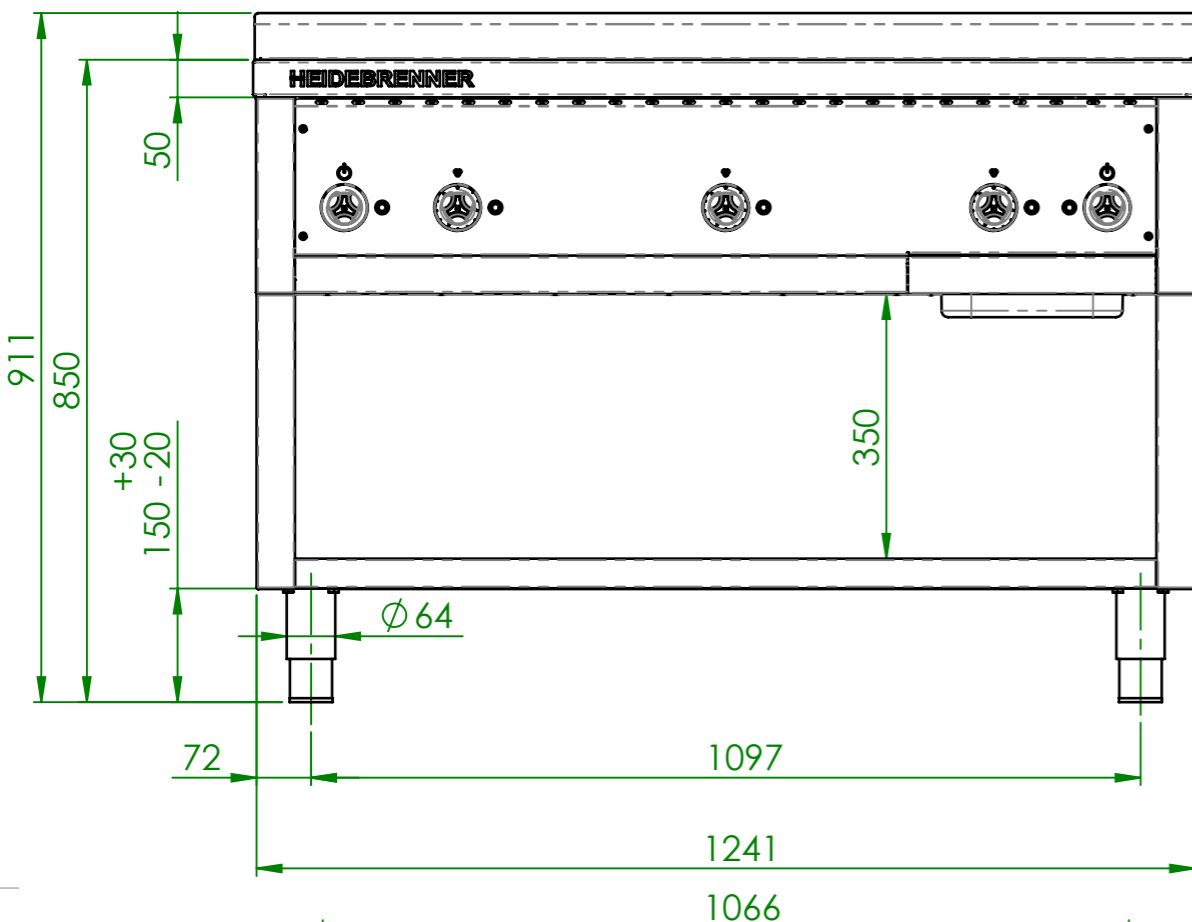
Grease channel
with drain on the front



Article Nr	HZ	per HZ[kW]	Ptotal[kW]	Power connector	Circuit breaker	Residual current device	Control
EPHI	3	6	18	2x CEE 16 A, 400V~ 3L+N+PE, 6h	2x B16A 3-pol.	2x Typ A, 40A/0,03A 4-pol.	Digital

VDI 2052 Heat emission	per HZ [kW]
Qdirect	1,47
Qlatent	0,37
Qmoisture	0,54

Verwendungsbereich	Toleranz nach DIN ISO 2768-mK	Oberflächen DIN ISO 1302	Maßstab: 1:10 Werkstoff 1.4301	Gewicht: 205 kg
Name	Datum	Elektro French Plancha "LYON"		
Bearb. W.K.	19.02.2026			
HEIDEBRENNER		EPHI	A3	



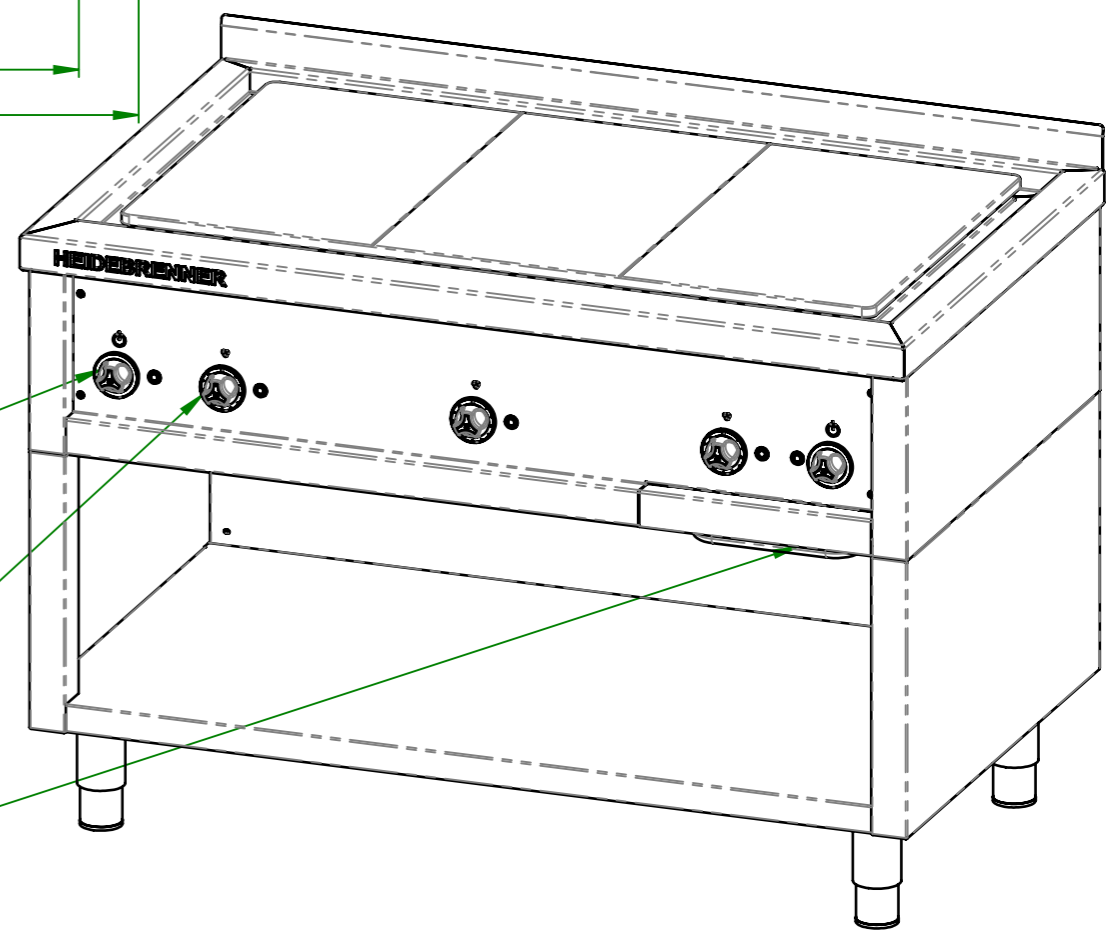
Steel plate,
Chrome plated (Optional)
smooth

ON/OFF

Temperature controller
T=50...400°C

extendable GN
Grease collection drawer

Grease channel
with drain on the front



Article Nr	HZ	per HZ[kW]	Ptotal[kW]	Power connector	Circuit breaker	Residual current device	Control
EPHC	3	6	18	2x CEE 16 A, 400V~ 3L+N+PE, 6h	2x B16A 3-pol.	2x Typ A, 40A/0,03A 4-pol.	Analog

VDI 2052 Heat emission	per HZ [kW]
Qdirect	1,47
Qlatent	0,37
Qmoisture	0,54

Verwendungsbereich	Toleranz nach DIN ISO 2768-mK	Oberflächen DIN ISO 1302	Maßstab: 1:10 Werkstoff 1.4301	Gewicht: 200 kg
Name	Datum	Elektro French Plancha "LYON"		
Bearb. W.K.	19.02.2026			
HEIDEBRENNER		EPHC	A3	